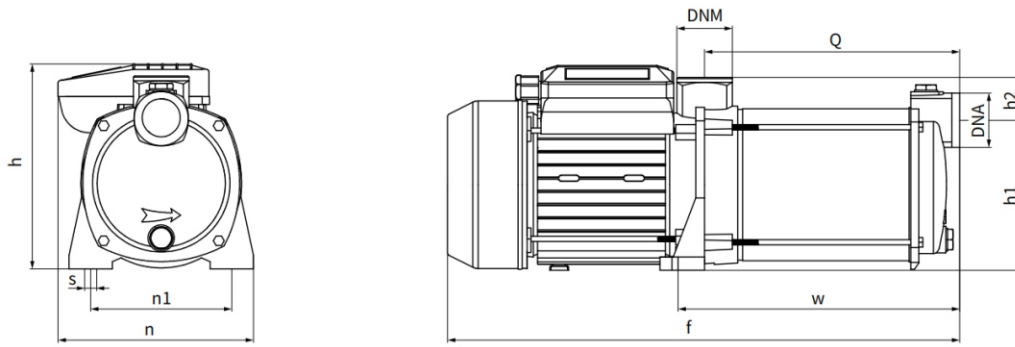


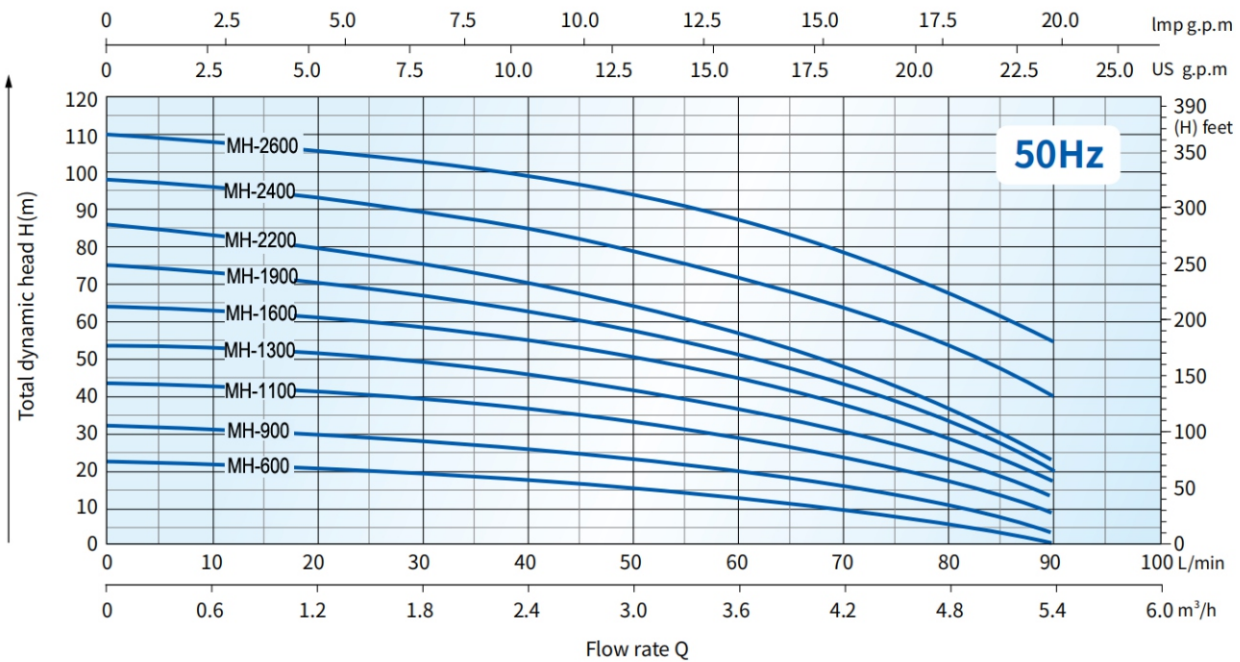


INSTALLATION DIMENSION DRAWING



MODEL	DNA	DNM	Q	f	h	h1	h2	n	n1	w	s
MH-600	1"	1"	141	360	175	128	36	160	120	164	10
MH-900	1"	1"	166	385	175	128	36	160	120	186	10
MH-1100	1"	1"	190	410	175	128	36	160	120	210	10
MH-1300	1"	1"	215	435	175	128	36	160	120	235	10
MH-1600	1"	1"	241	492	210	143	41	185	130	273	10
MH-1900	1"	1"	266	517	210	143	41	185	130	298	10
MH-2200	1"	1"	290	542	210	143	41	185	130	322	10

PERFORMANCE CURVE AT N=2850 r/min



TECHNICAL DATA

AT N=2850 min⁻¹

HORIZONTAL MODEL	INPUT KW	OUTPUT KW	HP	Q(m ³ /h) (L/min)	H (m)										DNA	DNM
					0	0.6	1.2	1.8	2.4	3	3.6	4.2	4.8	5.5		
MH-600	0.6	0.45	0.6		22	21	20	19	17	15	13	10	6	2	1"	1"
MH-900	0.9	0.65	0.9		32	31	30	28	26	24	21	17	11	5	1"	1"
MH-1100	1.1	0.75	1		43	42	41	38	36	33	29	24	17	9	1"	1"
MH-1300	1.35	1	1.3		53	52	51	49	47	41	36	31	23	14	1"	1"
MH-1600	1.65	1.3	1.65		64	63	62	59	56	51	46	38	29	17	1"	1"
MH-1900	1.9	1.5	2		75	73	70	67	63	58	51	43	33	20	1"	1"
MH-2200	2.2	1.65	2.2		86	83	80	75	70	65	57	48	37	23	1"	1"