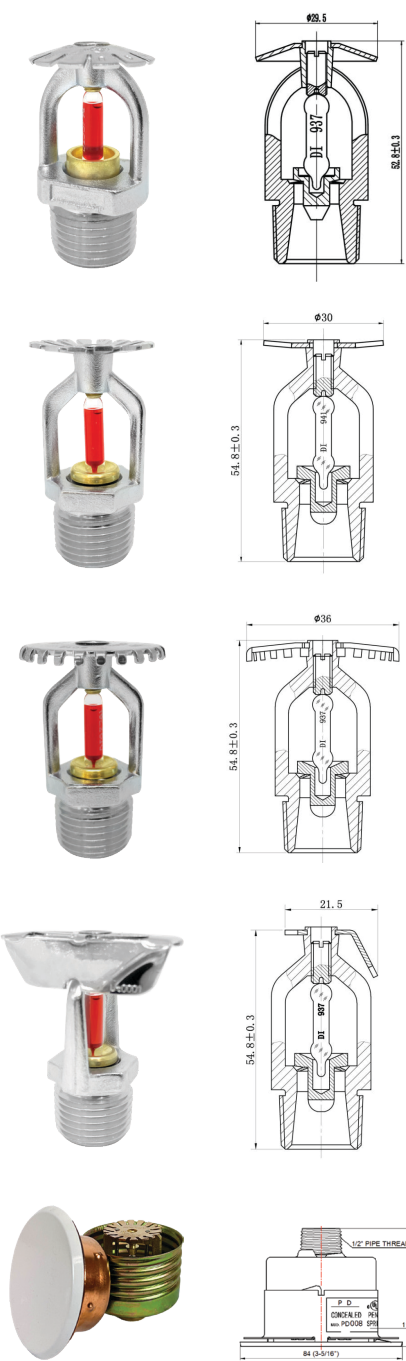


SPRINKLER



SRI Sprinkler Head



Conventional

Code No.	Response Type	Temp. Rating (°C)
SPR-58-573-9-155SR-YT	SR	68

Pendent

Code No.	Response Type	Temp. Rating (°C)
SPR-58-571-9-135SR-YT	SR	57
SPR-58-571-9-155SR-YT	SR	68
SPR-58-571-9-175SR-YT	SR	79
SPR-58-571-9-155QR-YT	QR	68
SPR-58-571-9-200SR-YT	SR	93

Upright

Code No.	Response Type	Temp. Rating (°C)
SPR-58-570-9-135SR-YT	SR	57
SPR-58-570-9-155SR-YT	SR	68
SPR-58-570-9-175SR-YT	SR	79
SPR-58-570-9-155QR-YT	QR	68

Sidewall

Code No.	Response Type	Temp. Rating (°C)
SPR-58-574-9-155SR-YT	SR	68
SPR-58-574-9-155QR-YT	QR	68

Concealed Sprinkler

Code No.	Response Type	Temp. Rating (°C)
SPR-57-572-9-155YT	SR	68

Sprinkler bulb color █ 68 °C █ 79 °C █ 93 °C

TECHNICAL SPECIFICATION	
K Factor	5.6 (80)
Nominal Thread Size	1/2" NPT
Max. Working Pressure	175 PSI (12Bar)
Factory Test Pressure	500 PSI (35Bar)
Min. Operating Pressure	7 PSI (0.5Bar)
Finish	Brass and chrome plated

MATERIAL SPECIFICATION	
Deflector	Brass and chrome plated
Bulb	Glass
Load Screw	Brass and chrome plated
Seal	Brass and chrome plated
Frame	Brass and chrome plated
Seal Washer	Belleville Washer coated on both sides with Teflon Tape
Bulb Nominal Diameter	Standard Response 5.0mm, Quick Response 3.0mm