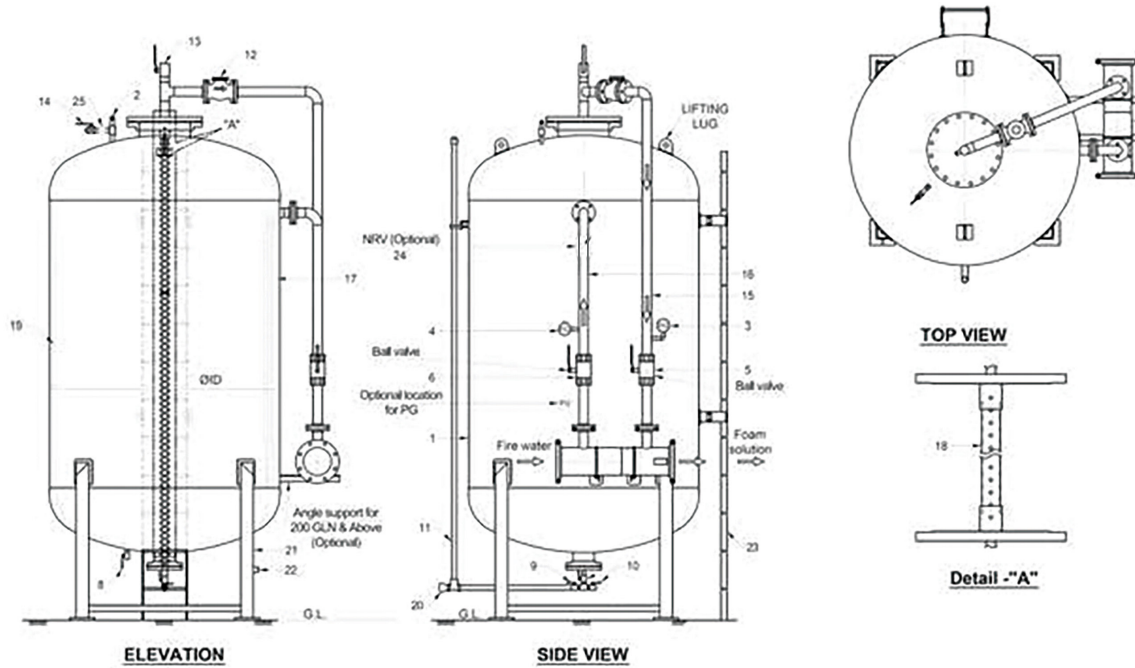


Foam Bladder Tank



G.A Drawing Bladder Tank - Vertical Mounting



Material of Construction

SR.NO.	ITEM DESCRIPTION	SIZE	RATING	QTY.	MATERIAL OF CONSTRUCTION
1	FOAM VESSEL	20-4000 GLN.	175 PSI	1 NO.	CARBON STEEL (SA516 GR.70) OR EQUIVALENT
2	RELIEF VALVE	20NB, SCRD. OR ABOVE	175 PSI MINIMUM	1 NO.	STAINLESS STEEL
3	PRESSURE GAUGE - WATER	5NB, 0-20 BAR	0-20 BAR	1 NO.	STAINLESS STEEL
4	PRESSURE GAUGE - FOAM	5NB, 0-20 BAR	0-20 BAR	1 NO.	STAINLESS STEEL
5	FOAM SUPPLY VALVE	20/25/40NB	≥150# / PN16	1 NO.	STAINLESS STEEL
6	WATER CHARGING VALVE	20/25/40NB	≥150# / PN16	1 NO.	STAINLESS STEEL
7	FOAM PROPORTIONER	50/80/100NB	SCH.40	1 NO.	CARBON STEEL/MS
8	VESSEL DRAIN VALVE	25*65NB, SCRD. OR HIGHER	≥150# / PN16	1 NO. / 2 NO.	STAINLESS STEEL
9	LEVEL INDICATOR VALVE	SCRD.	≥150# / PN16	1 NO.	STAINLESS STEEL
10	FOAM CONCENTRATE FILL / DRAIN VALVE	25*65NB, SCRD.	≥150# / PN16	1 NO.	STAINLESS STEEL
11	LEVEL INDICATOR TUBE OR	15*25NB	-	1 NO.	CLEAR PLASTIC TUBE
	LEVEL INDICATOR GAUGE (OPTIONAL)	15*25NB	0-4000 mmWC (UPTO 200 GLN.) 0-6000 mmWC(ABOVE200 GLN.)	-	STAINLESS STEEL
12	NON RETURN VALVE	20/25/40NB	≥150# / PN16	1 NO.	STAINLESS STEEL
13	BLADDER VENT VALVE	25*65NB	≥150# / PN16	1 NO.	STAINLESS STEEL
14	VESSEL VENT VALVE	25NB, SCRD.	≥150# / PN16	1 NO.	STAINLESS STEEL
15	FOAM PIPING	20/25/40NB	SCH.40	1 NO.	STAINLESS STEEL
16	WATER PIPING	20/25/40NB	SCH.40	1 NO.	CARBON STEEL/MS
17	INTERNAL PIPING-WATER	40NB UPTO 150 GLN. / 65 NB ABOVE 150 GLN.	SCH.40	1 NO.	CARBON STEEL/MS
18	SYPHON PIPE-FOAM	55NB UPTO 150 GLN. / 80 NB ABOVE 150 GLN.	SCH.10	1 NO.	STAINLESS STEEL
19	BLADDER BAG	20-4000 GLN.	-	1 NO.	REINFORCED PVC
20	ANGLE VALVE / BALL VALVE	15*25NB	-	1 NO.	STAINLESS STEEL
21	LEG SUPPORT	20-4000 GLN.	-	4 NO.	CARBON STEEL/MS
22	EARTH LUG	20-4000 GLN.	-	1 NO.	CARBON STEEL/MS
23	LADDER, SUPPORTS (OPTIONAL)	20-4000 GLN.	-	1 NO.	CARBON STEEL/MS
24	NOT USED	-	-	-	-
25	AIR RELEASE VALVE (OPTIONAL)	15*25NB	≥150# / PN16	1 NO.	STAINLESS STEEL

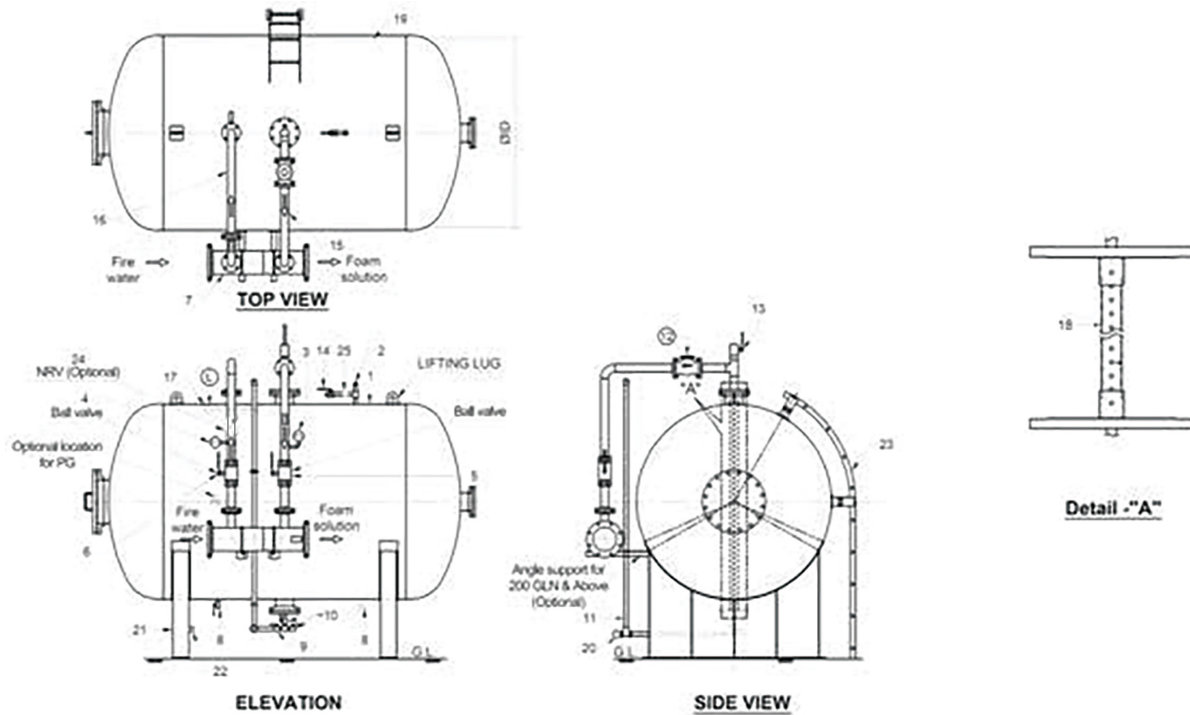
Technical Data

1. Capacity: 20 to 4000 Gallon
2. Design Code: ASME SEC.VIII DIV.1
3. Max. Working Pressure: 12.06 BAR (175 PSI)
4. Foam Proportioning Ratio : 3% to 3.9 %
5. Painting:
6. Internal Coating - Primer Red Oxide or coal tar epoxy
External Coating - RAL-3000

Note:

- ❖ Height of ratio flow controller (proportioner) can vary as per client requirement.
- ❖ Proportioner, valves & its associate piping, gauges etc. may be supplied separately (loose).
- ❖ All Mentioned Stainless steel are of SS304 as standard materials.

G.A Drawing Bladder Tank - Horizontal Mounting



Material of Construction

SR.NO.	ITEM DESCRIPTION	SIZE	RATING	QTY.	MATERIAL OF CONSTRUCTION
1	FOAM VESSEL	20-4000 GLN.	175 PSI	1 NO.	CARBON STEEL (SA516 GR.70) OR EQUIVALENT
2	RELIEF VALVE	20NB, SCR.D. OR ABOVE	175 PSI MINIMUM	1 NO.	STAINLESS STEEL
3	PRESSURE GAUGE - WATER	6NB, 0-20 BAR	0-20 BAR	1 NO.	STAINLESS STEEL
4	PRESSURE GAUGE - FOAM	6NB, 0-20 BAR	0-20 BAR	1 NO.	STAINLESS STEEL
5	FOAM SUPPLY VALVE	20/25/40NB	≥150# / PN16	1 NO.	STAINLESS STEEL
6	WATER CHARGING VALVE	20/25/40NB	≥150# / PN16	1 NO.	STAINLESS STEEL
7	FOAM PROPORTIONER	50/80/100NB	SCH.40	1 NO.	CARBON STEEL/MS
8	VESSEL DRAIN VALVE	25*65NB, SCR.D. OR HIGHER	≥150# / PN16	1 NO. / 2 NO.	STAINLESS STEEL
9	LEVEL INDICATOR VALVE	SCR.D.	≥150# / PN16	1 NO.	STAINLESS STEEL
10	FOAM CONCENTRATE FILL / DRAIN VALVE	25*65NB, SCR.D.	≥150# / PN16	1 NO.	STAINLESS STEEL
11	LEVEL INDICATOR TUBE OR LEVEL INDICATOR GAUGE (OPTIONAL)	15~25NB 15~25NB	- 0-4000 mmWC (UPTO 200 GLN.) 0-6000 mmWC (ABOVE 200 GLN.)	1 NO.	CLEAR PLASTIC TUBE STAINLESS STEEL
12	NON RETURN VALVE	20/25/40NB	≥150# / PN16	1 NO.	STAINLESS STEEL
13	BLADDER VENT VALVE	25*65NB	≥150# / PN16	1 NO.	STAINLESS STEEL
14	VESSEL VENT VALVE	25NB, SCR.D.	≥150# / PN16	1 NO.	STAINLESS STEEL
15	FOAM PIPING	20/25/40NB	SCH.40	1 NO.	STAINLESS STEEL
16	WATER PIPING	20/25/40NB	SCH.40	1 NO.	CARBON STEEL/MS
17	INTERNAL PIPING-WATER	40NB UPTO 150 GLN. / 65 NB ABOVE 150 GLN.	SCH.40	1 NO.	CARBON STEEL/MS
18	SYPHON PIPE-FOAM	65NB UPTO 150 GLN. / 80 NB ABOVE 150 GLN.	SCH.10	1 NO.	STAINLESS STEEL
19	BLADDER BAG	20-4000 GLN.	-	1 NO.	REINFORCED PVC
20	ANGLE VALVE / BALL VALVE	15~25NB	-	1 NO.	STAINLESS STEEL
21	SADDLE SUPPORT	20-4000 GLN.	-	2 NO.	CARBON STEEL/MS
22	EARTH LUG	20-4000 GLN.	-	1 NO.	CARBON STEEL/MS
23	LADDER, SUPPORTS (OPTIONAL)	20-4000 GLN.	-	1 NO.	CARBON STEEL/MS
24	NOT USED	-	-	-	-
25	AIR RELEASE VALVE (OPTIONAL)	15~25NB	≥150# / PN16	1 NO.	STAINLESS STEEL

Technical Data

- Capacity: 20 to 4000 Gallon
- Design Code: ASME SEC.VIII DIV.1
- Max. Working Pressure: 12.06 BAR (175 PSI)
- Foam Proportioning Ratio : 3% to 3.9 %
- Painting:
Internal Coating – Primer Red Oxide or coal tar epoxy
External Coating - RAL-3000

Note:

- ❖ Height of ratio flow controller (proportioner) can vary as per client requirement.
- ❖ Proportioner, valves & its associate piping, gauges etc. may be supplied separately (loose).
- ❖ All Mentioned Stainless steel are of SS304 as standard materials.

Capacities: Vertical & Horizontal Mounting



Capacity Gallon	Capacity Liters	Foam Ratio Controller Size		
		50 NB	80NB	100NB
20	75.71	✓	✓	✓
50	189.27	✓	✓	✓
75	283.91	✓	✓	✓
100	378.54	✓	✓	✓
150	567.81	✓	✓	✓
200	757.08	✓	✓	✓
300	1135.62	✓	✓	✓
400	1514.16	✓	✓	✓
500	1892.71	✓	✓	✓
600	2271.25	✓	✓	✓
700	2649.79	✓	✓	✓
800	3028.33	✓	✓	✓
900	3406.87	✓	✓	✓
1000	3785.41	✓	✓	✓
1100	4163.95	✓	✓	✓
1200	4542.49	✓	✓	✓
1300	4921.04	✓	✓	✓
1400	5299.58	✓	✓	✓
1500	5678.12	✓	✓	✓
1600	6056.66	✓	✓	✓
1700	6435.20	✓	✓	✓
1800	6813.74	✓	✓	✓
1900	7192.28	✓	✓	✓
2000	7570.82	✓	✓	✓
2100	7949.37	✓	✓	✓
2200	8327.91	✓	✓	✓
2300	8706.45	✓	✓	✓
2400	9084.99	✓	✓	✓
2500	9463.53	✓	✓	✓
2600	9842.07	✓	✓	✓
2700	10220.61	✓	✓	✓
2800	10599.15	✓	✓	✓
2900	10977.69	✓	✓	✓
3000	11356.24	✓	✓	✓
3100	11734.78	✓	✓	✓
3200	12113.32	✓	✓	✓
3300	12491.86	✓	✓	✓
3400	12870.40	✓	✓	✓
3500	13248.94	✓	✓	✓
3600	13627.48	✓	✓	✓
3700	14006.02	✓	✓	✓
3800	14384.57	✓	✓	✓
3900	14763.11	✓	✓	✓
4000	15141.65	✓	✓	✓

Note: Intermediate capacities / sizes can be made as per client's requirement.