



شركة السند لمعدات الإطفاء والسلامة العامة  
ALSANAD FIREFIGHTING & SAFETY EQUIPMENT



Fire  
Extinguisher  
Cabinets and  
Fire Breaching  
Inlet Cabinet

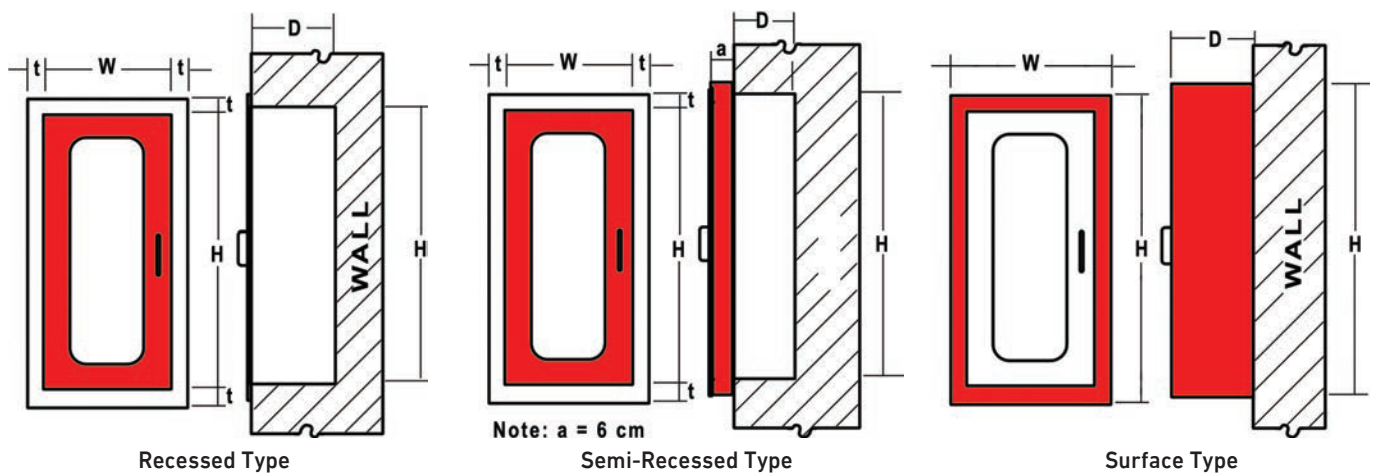
Quality Approvals for Various Products and Services



# Fire Extinguisher Cabinets and Fire Breaching Inlet Cabinet

## General Specifications:

- K Cabinet and door leaves are made of mild /stainless steel sheet with all around folded edges. There are different design for door leaves to suit the architectural engineering.
- K Cabinets are fitted with continuous piano hinges. Stainless steel hinges are available upon request.
- K Corrosion protection: Cabinets and Door leaves are painted with electrostatic powder paint oven baked to give protection against rust and to give smooth finish.
- K Standard colors is Red (RAL 3000). Other colors are available upon request.
- K Frame and Door leaves are available in Mild Steel or Stainless Steel.



## Fire extinguisher cabinets dimensions

| MODEL   | WIDTH (W) | HEIGHT (H) | DEPTH (D) |
|---------|-----------|------------|-----------|
| SN1100  | 800       | 250        | 250       |
| SN1100S | 800       | 250        | 250       |
| SN1110  | 800       | 300        | 250       |
| SN1110S | 800       | 300        | 250       |
| SN1120  | 110       | 300        | 250       |
| SN1120S | 110       | 300        | 250       |

All dimensions are in mm.

## Fire Breaching inlet cabinets

| MODEL   | WIDTH (W) | HEIGHT (H) | DEPTH (D) |
|---------|-----------|------------|-----------|
| SN1200  | 400       | 500        | 300       |
| SN1200S | 400       | 500        | 300       |
| SN1220  | 450       | 450        | 350       |
| SN1220S | 450       | 450        | 350       |

All dimensions are in mm.



**شركة السند لمعدات الإطفاء والسلامة العامة**  
**ALSANAD FIREFIGHTING & SAFETY EQUIPMENT**

**عمان - شارع الحرية - إشارة أكاديمية الحفاظ - مجمع المرشد ٢**

**T: +96264164429 | M: +962 7 7722 0315 | E: info@sanad-fire.com | www.sanad-fire.com**