



شركة السند لمعدات الإطفاء والسلامة العامة  
ALSANAD FIREFIGHTING & SAFETY EQUIPMENT



## Fire Cabinets SN800

SINGLE COMPARTMENT FOR  
SEMI-RIGID FIRE HOSE REEL

- ❖ Recessed type cabinets
- ❖ Semi-Recessed type cabinets
- ❖ Surface type cabinets
- ❖ Self Stand type cabinets

- ❖ Foam/Water Cabinet characterized for its high performance for attacking class A and B Fire within seconds.
- ❖ Designed for single man operation.
- ❖ Highly efficient in gas stations, petro-chemical plants, industrial premises, warehouses and in any area, requires protection from class A and B fires.
- ❖ Cabinet and door leaves are made of electro-galvanized steel sheet with a thickness of 1.2 mm. Optional Stainless Steel cabinets are available as per customer requirements.
- ❖ Cabinets are with all around folded edges without any sharp edges and burrs. The roof is sloped type.
- ❖ Cabinet painted with Powder Coated for elegant finish and protection from rust.
- ❖ Operating instructions are silk screen printed in English and Arabic inside the cabinet doors.
- ❖ We are fully capable to manufacture any type of foam cabinets as per customer designs or specifications.

## Cabinet Components

### Fire Hose Reel



Superior quality, 100% synthetic jacket hose, the outer fabric is made of circular woven synthetic fiber and root proof yarn, while inner layer is a substance of tropical rubber applied by means of a special vulcanizing technique ensures long life, elasticity and flexibility. Hose size 1.5 inch x 30 meter length, wrapped on swinging hose reel.

Hose reel is made of 1mm mild steel sheet and pressed out. The outer edge of the reel is rolled over to give a safe handling edge on the outer rims. The reel is mounted on swinging arm.

### Foam Proportioner



2" Foam proportioner or inductor. The design of the inductor enables an exact mixing rate of the passing water equipped with bypass system.

### Foam Can

Two canisters of 20 liter 3% foam concentrate. Different types of foam concentrates are available on request.



### Foam Branch Pipe



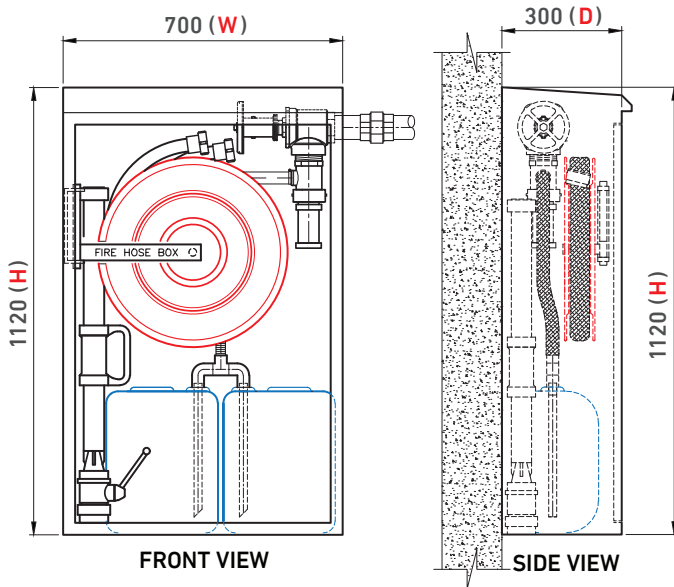
Foam branch pipe with shut off control valve, body made of aluminum and handle with hard rubber. It can throw foam between 15-20 meter depends on line pressure. Also it can be used as water jet pipe.

### Angle Valve



- ☞ Size 1.5": Brass body
- ☞ Hand wheel with steel epoxy coated
- ☞ UL/FM (Optional)

# Foam / Water Cabinets



Suitable to use at Fire Class:



**A** Solid matters forming glowing residues. e.g. wood, rubber (car tires), paper, textiles.



**B** Liquid combustible matter e.g. petrol, oils, grease, ether, alcohol.

MODEL	WIDTH (W)	HEIGHT (H)	DEPTH (D)
SN800	700	1120 (Sloped Roof)	300
SN800S	700	1120 (Sloped Roof)	300

All dimensions are in mm.

**Full Stainless Steel Construction**  
(Door, Frame & Backbox)

- ❖ Finish : Hairline / Mirror finish
- ❖ Thickness : 0.9mm / 1mm / 1.2mm / 1.5mm / 2mm

**Full Electro Galvanized Steel Construction**  
(Door, Frame & Backbox)

- ❖ Finish : Red / as per customer request
- ❖ Thickness : 0.9mm / 1mm / 1.2mm / 1.5mm / 2mm

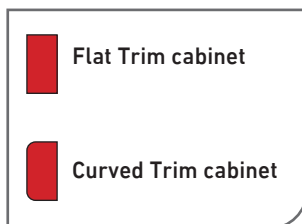
**Backbox in Electro Galvanized Steel**

- ❖ Finish : Red / as per customer request
- ❖ Thickness : 0.9mm / 1mm / 1.2mm / 1.5mm / 2mm

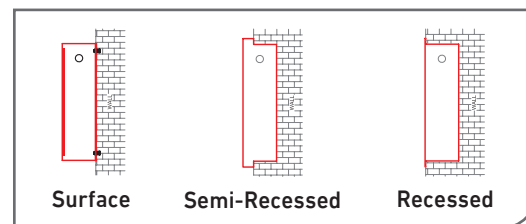
**Door and Frame in Stainless Steel**

- ❖ Finish : Hairline / Mirror finish
- ❖ Thickness : 0.9mm / 1mm / 1.2mm / 1.5mm / 2mm

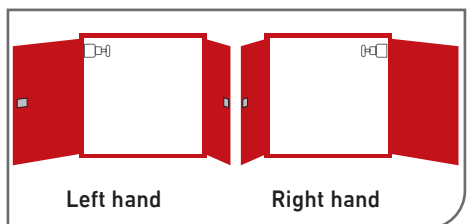
## Trim



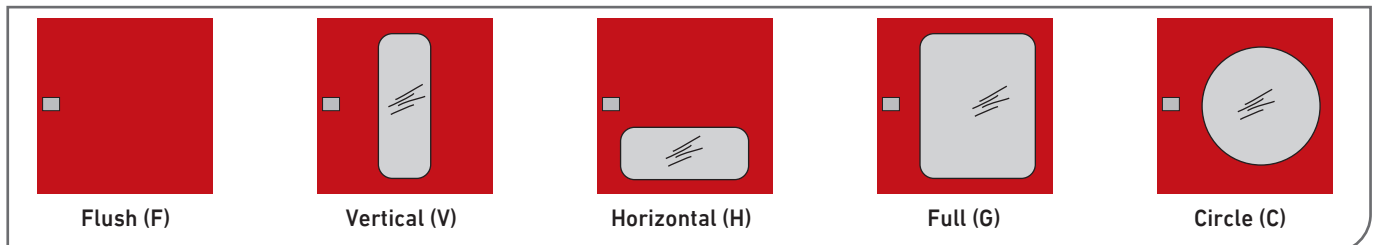
## Mounting Type



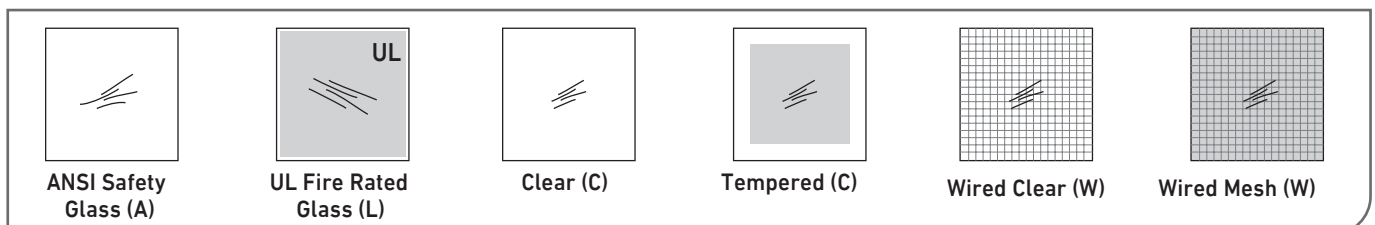
## Door Opening Type



## Door Selection



## Glass Selection





**شركة السند لمعدات الإطفاء والسلامة العامة**  
**ALSANAD FIREFIGHTING & SAFETY EQUIPMENT**

**عمان - شارع الحرية - إشارة أكاديمية الحفاظ - مجمع المرشد ٢**

**T: +96264164429 | M: +962 7 7722 0315 | E: info@sanad-fire.com | www.sanad-fire.com**