



شركة السند لمعدات الإطفاء والسلامة العامة
ALSANAD FIREFIGHTING & SAFETY EQUIPMENT



Fire Cabinets SN200

SINGLE COMPARTMENT FOR
SEMI-RIGID FIRE HOSE REEL

- ❖ Recessed type cabinets
- ❖ Semi-Recessed type cabinets
- ❖ Surface type cabinets
- ❖ Self Stand type cabinets

Fire Cabinets

- ❖ AL-SANAD Cabinets are manufactured from Mild Steel or Stainless Steel material with a thickness of 0.9mm to 2.0mm which depends on usage or customer request.
- ❖ Cabinets are painted with Powder Coated for elegant finish and protection from rust.
- ❖ Backbox, Door and Frame can be of different thickness and material.
- ❖ Operation Instructions are silk screen printed in Arabic and English languages inside the cabinet.
- ❖ The cabinets are available with all around folded edges without any sharp edges.
- ❖ Hose Reels in cabinets are fully equipped with landing valves and nozzles.
- ❖ Optional Hairline or Mirror finish Stainless Steel cabinets are also available.
- ❖ Cabinets are available in different size and design to meet architectural requirements.



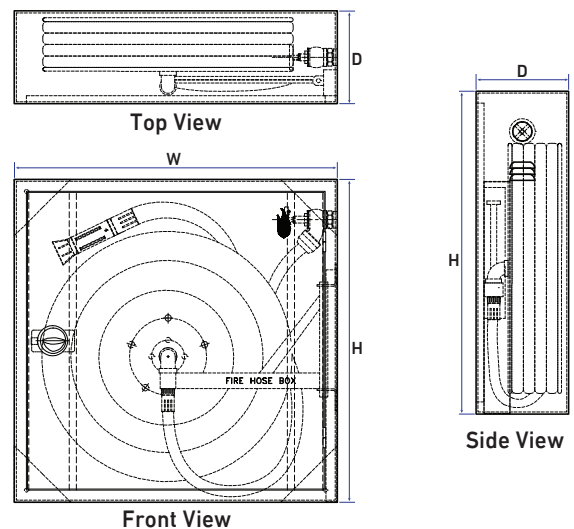
Model: SN200



Model: SN200S

Item	Specification
Body Material	Mild Steel
Body Material	Stainless Steel #304
Thickness	0.9mm / 1mm / 1.2 mm / 1.5 mm / 2.0mm
Door Type	Hinged Door with Lockable Latch
Hose Reel Size	1" or ¾" Hose Reel, 30 meters length
Mounting Type	Wall Mounted (Recessed / Surface / Semi-Recessed)
Finish	Red Powder Coated (RAL 3000)
Inlet Connection	25 mm or 19 mm Brass / Chrome Finish Landing Valve
Standard Compliance	BS EN 694 Fire hose
Color	Fire Red (RAL 3000), Polyester Powder Coated
Markings	Operation instructions printed on the door
Accessories	Nozzle, Landing Valve, Mounting Brackets (as required)

- ❖ Other material types are available upon request.
- ❖ Cabinets in stainless steel are available with hairline or mirror finish as per customer request.



MODEL	WIDTH (W)	HEIGHT (H)	DEPTH (D)
SN200	800	800	230
SN200S	800	800	230
SN210	730	730	230
SN210S	730	730	230
SN220	730	750	230
SN220S	730	750	230

All dimensions are in mm.

Fire Cabinets

Accessories

Fire Hose Reel

- ❖ Model : Sn20
Sn40
- ❖ Type (Standard) : Swinging Arm Type
- ❖ Type (Optional) : Fixed Type / Swinging Pipe Type
- ❖ Hose Length : 30 Mtr
- ❖ Approval : BS EN-671
- ❖ Swinging Angle : 180° (for Wall Mounted)
- ❖ Reel Diameter : 580mm
- ❖ Hose Color : Red (Other colors are available on request)
- ❖ Paint Finish : Electrostatic powder coat



Note: EN 671 Approved Hose Reels are provided with Plastic Nozzle and 1" Ball Valve & Nipple.

Nozzle



- ❖ Body: Brass & Chrome Plated
- ❖ 3 way control
(Jet - Spray - Shut off)

Landing Valve



- ❖ Size 1" and 1.5":
Brass body with chrome finish
- ❖ Size 2.5": Brass body
- ❖ Hand wheel made with steel and epoxy coated
- ❖ WP: 16 bar

Angle Valve



- ❖ Size 1.5": Brass body
- ❖ Hand wheel with steel epoxy coated
- ❖ UL/FM (Optional)

Plastic Nozzle



- ❖ 3 way control
(Jet - Spray - Shut off)

Ball Valve & Nipple



- ❖ Size: 1"
- ❖ Body: Chrome plated

Pressure Restricting Angle Valve



- ❖ Size 1.5": Brass body
- ❖ Hand wheel with steel epoxy coated
- ❖ UL/FM (Optional)

EN 671 Approved Hose Reels are provided with
* Plastic Nozzle (Model A) and 1" Ball Valve & Nipple.

Fire Cabinets

Design and Finish

Material and Finish

Full Stainless Steel Construction
(Door, Frame & Backbox)

- ❖ Finish : Hairline / Mirror finish
- ❖ Thickness : 0.9mm / 1mm / 1.2mm / 1.5mm / 2mm

Full Mild Steel Construction
(Door, Frame & Backbox)

- ❖ Finish : Red / as per customer request
- ❖ Thickness : 0.9mm / 1mm / 1.2mm / 1.5mm / 2mm



Backbox in Mild Steel

- ❖ Finish : Red / as per customer request
- ❖ Thickness : 0.9mm / 1mm / 1.2mm / 1.5mm / 2mm

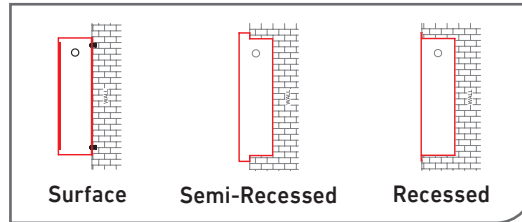
Door and Frame in Stainless Steel

- ❖ Finish : Hairline / Mirror finish
- ❖ Thickness : 0.9mm / 1mm / 1.2mm / 1.5mm / 2mm

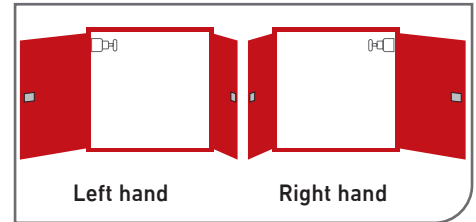
Trim

-  Flat Trim cabinet
-  Curved Trim cabinet

Mounting Type



Door Opening Type



Door Selection



Glass Selection

